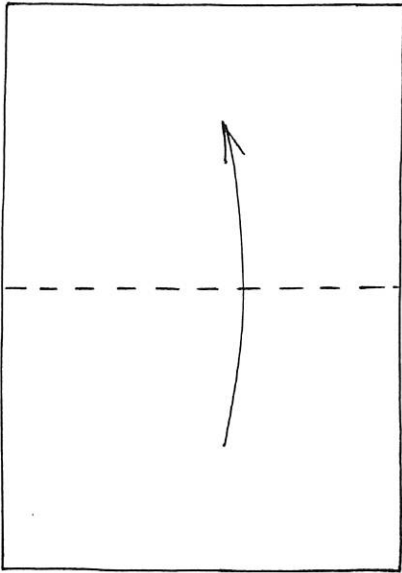


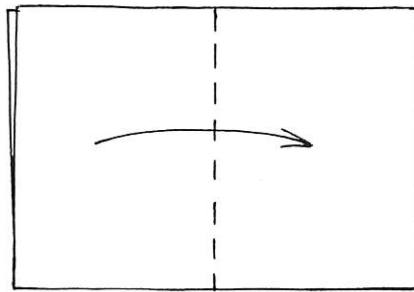
PIG

Edwin
Corrie

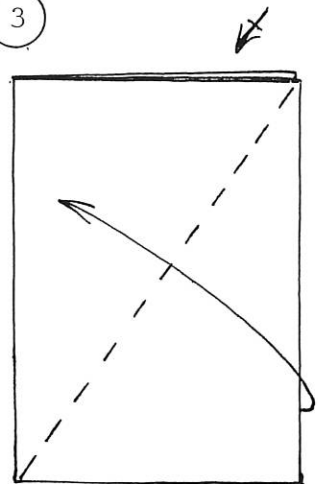
1



2



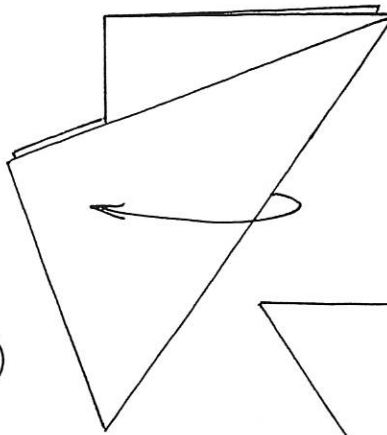
3



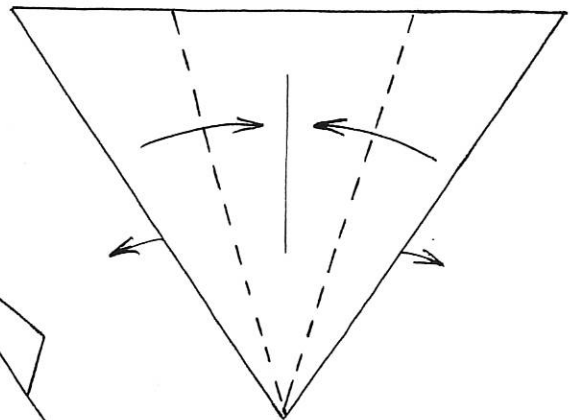
A4

SAME COLOUR BOTH SIDES

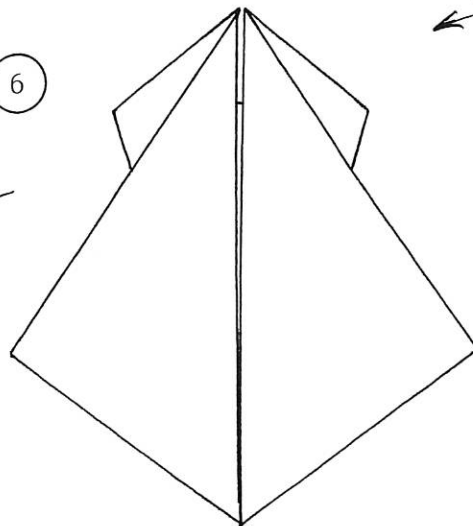
4



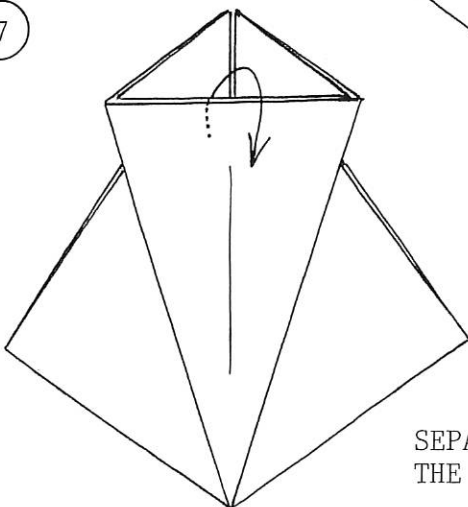
5



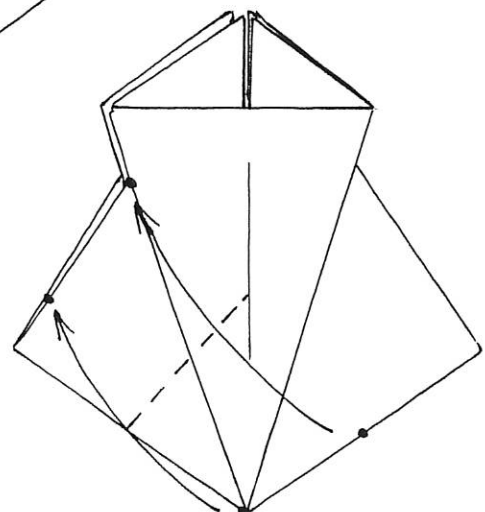
6



7

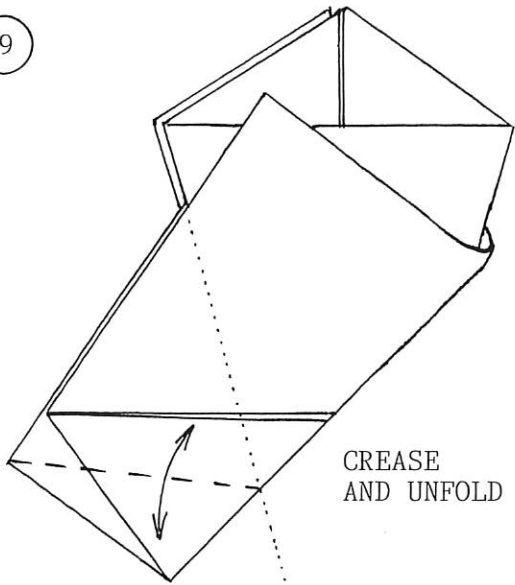


8



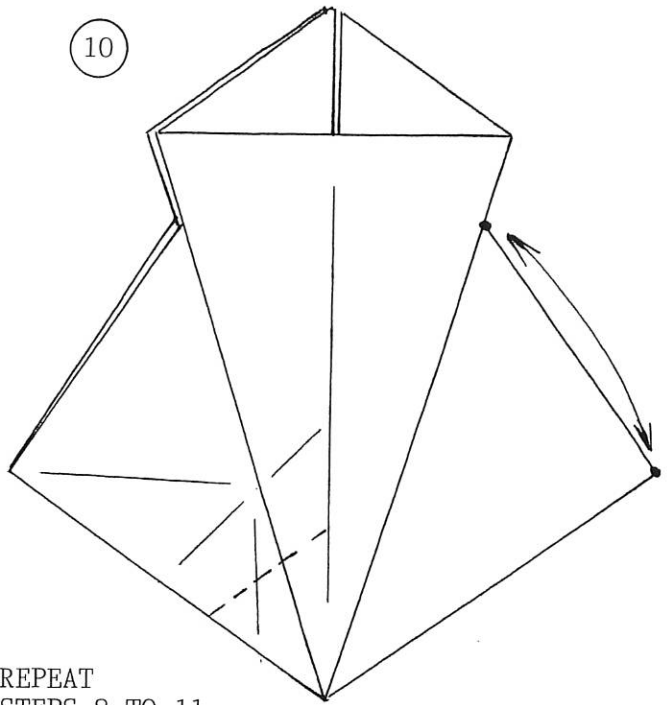
SEPARATE
THE LAYERS

9



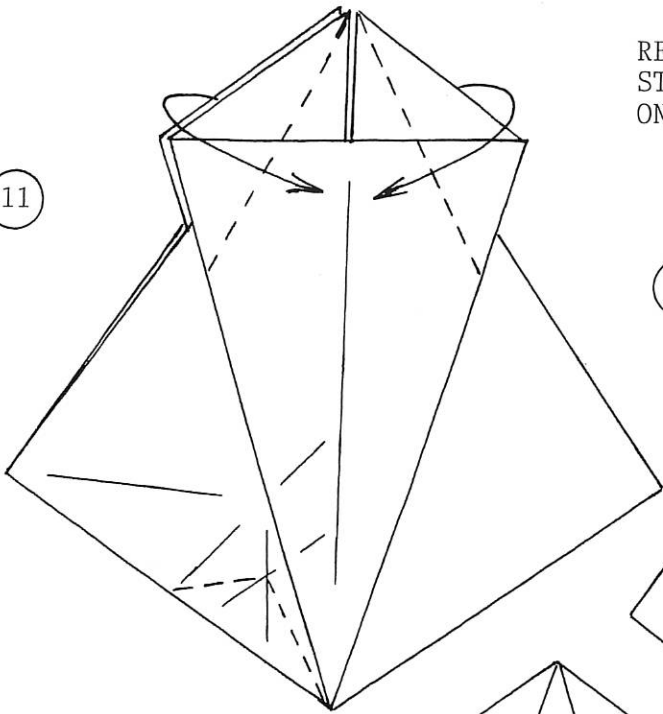
CREASE
AND UNFOLD

10

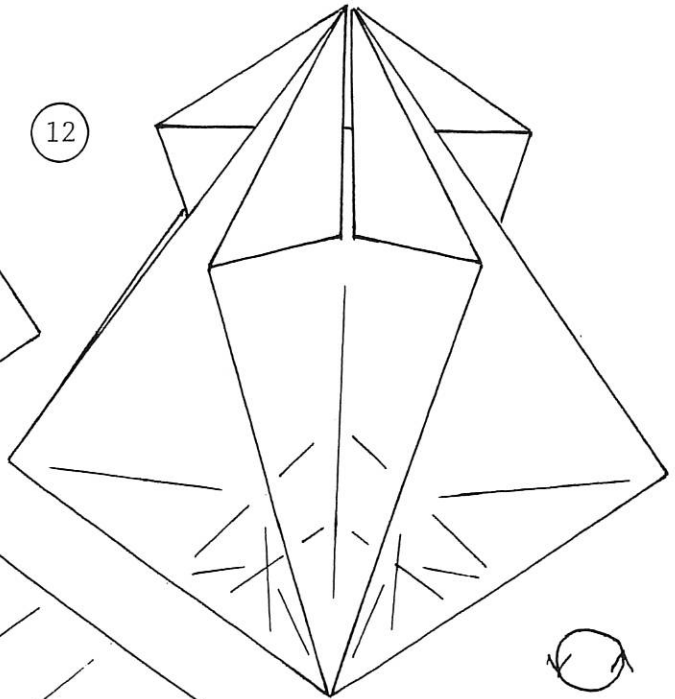


REPEAT
STEPS 8 TO 11
ON THE RIGHT

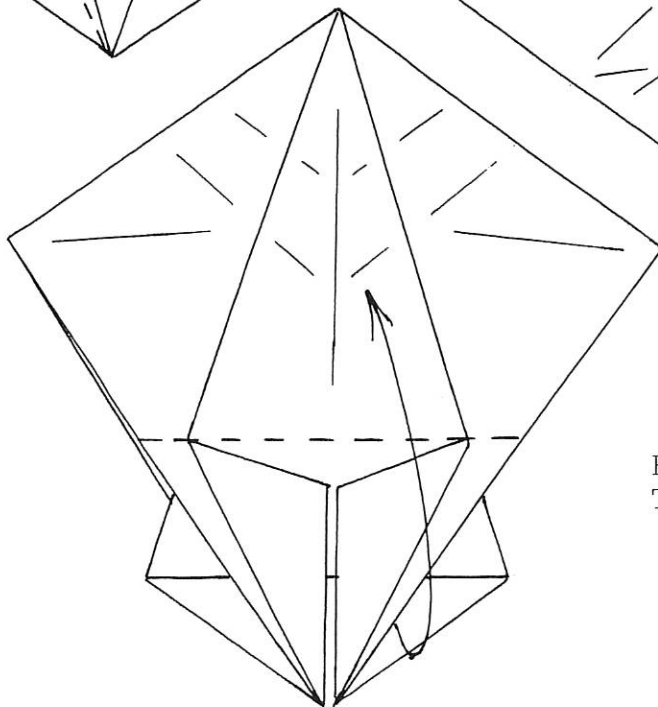
11



12



13

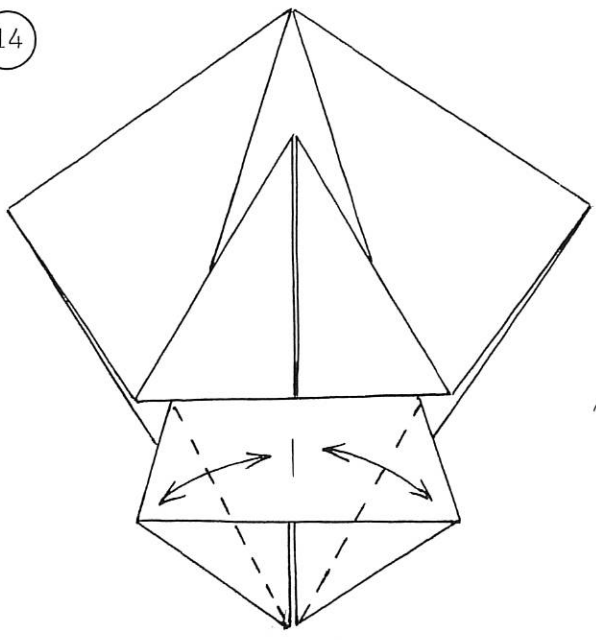


FOLD UP
TOP LAYER

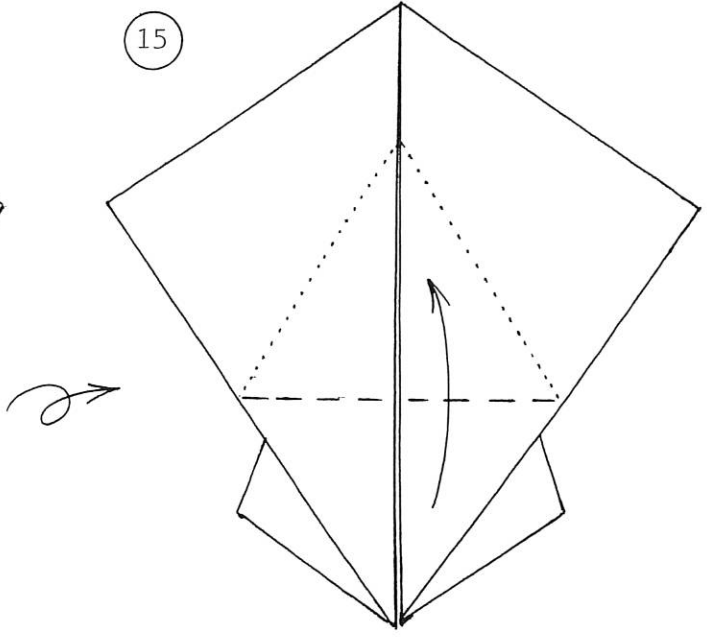


ROTATE

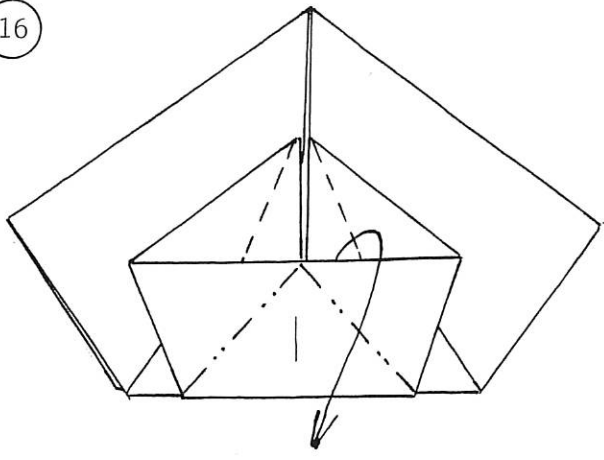
14



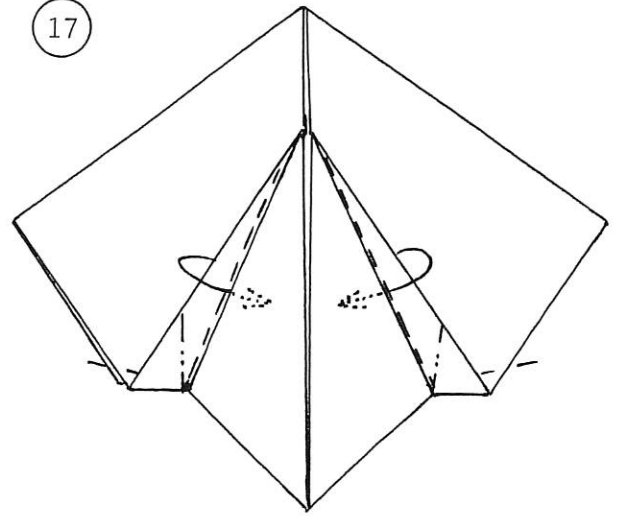
15



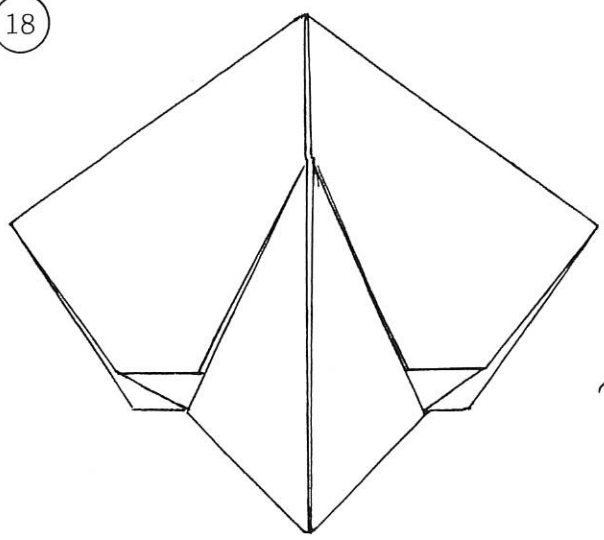
16



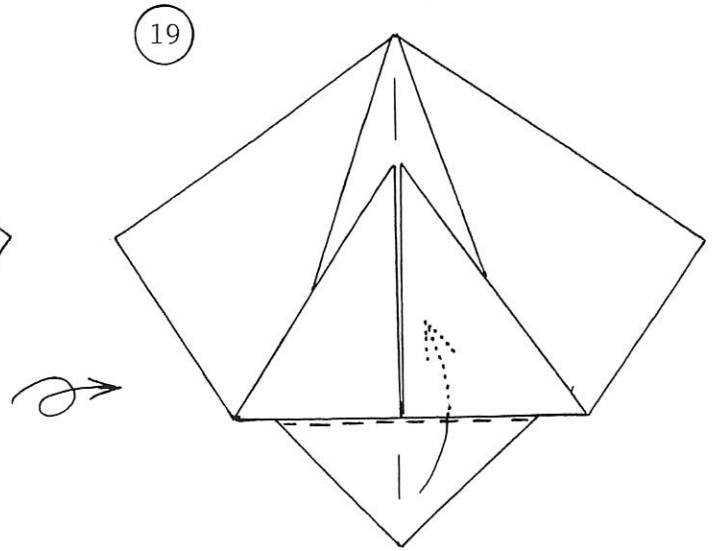
17



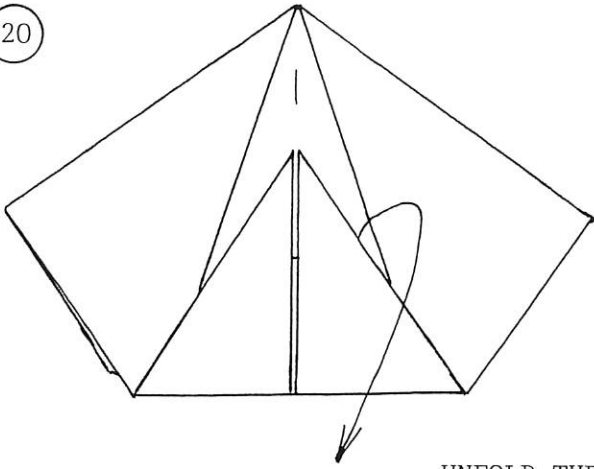
18



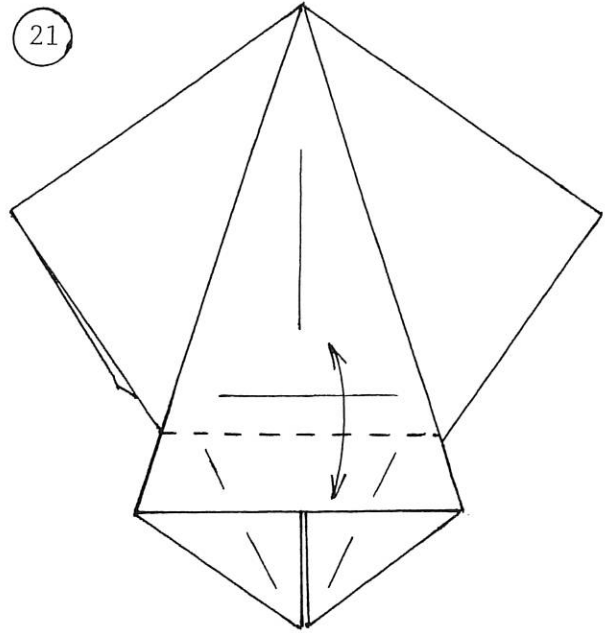
19



20

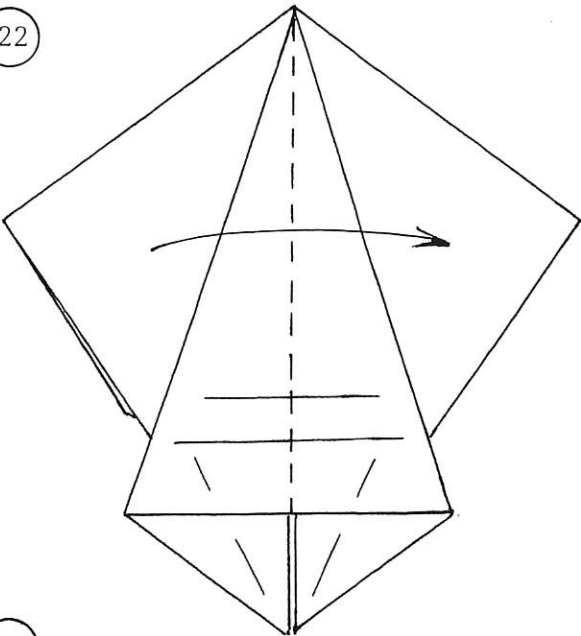


21

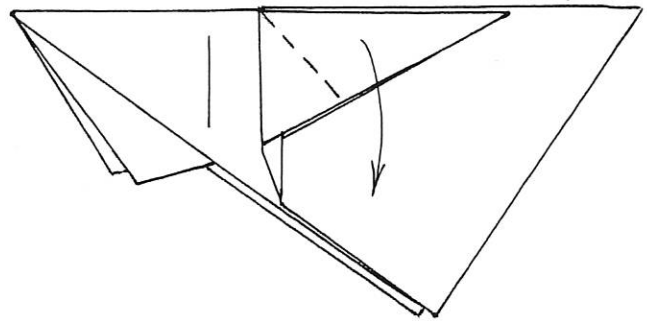


UNFOLD THE WHOLE FLAP

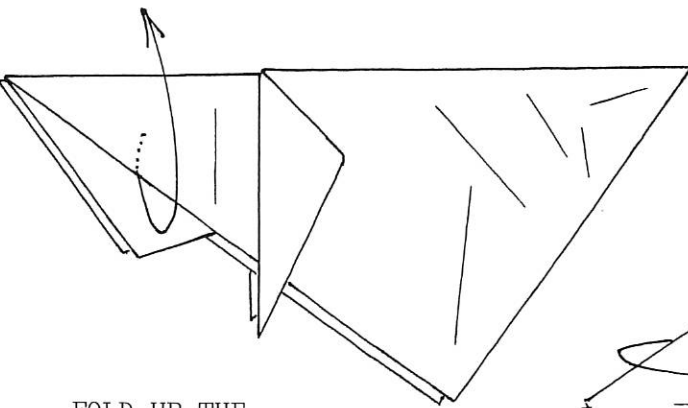
22



23

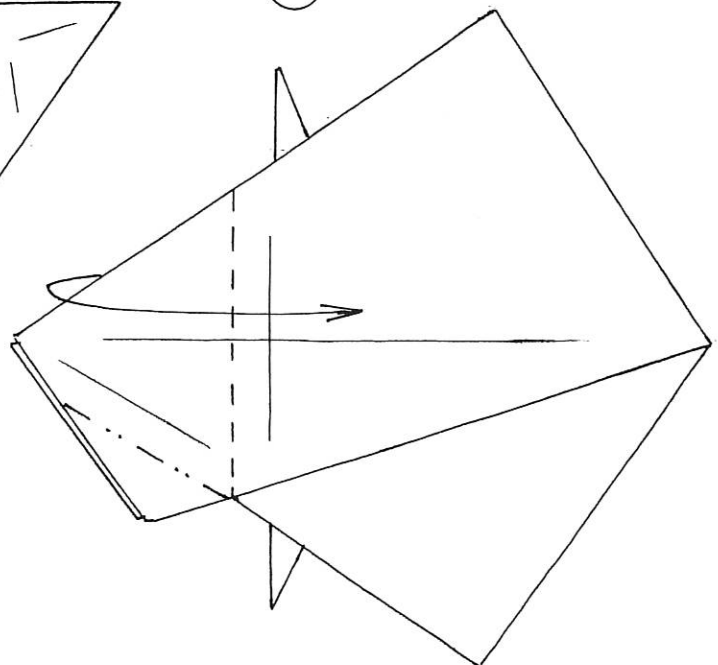


24

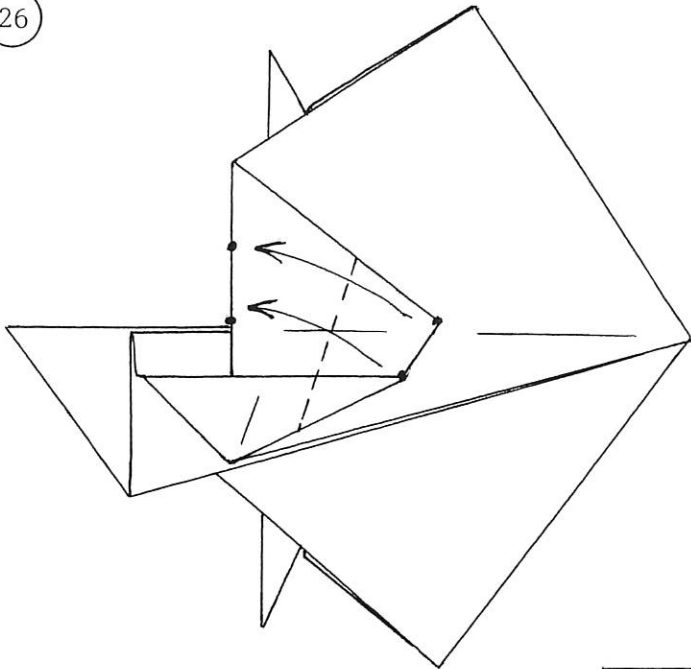


FOLD UP THE TOP LAYER

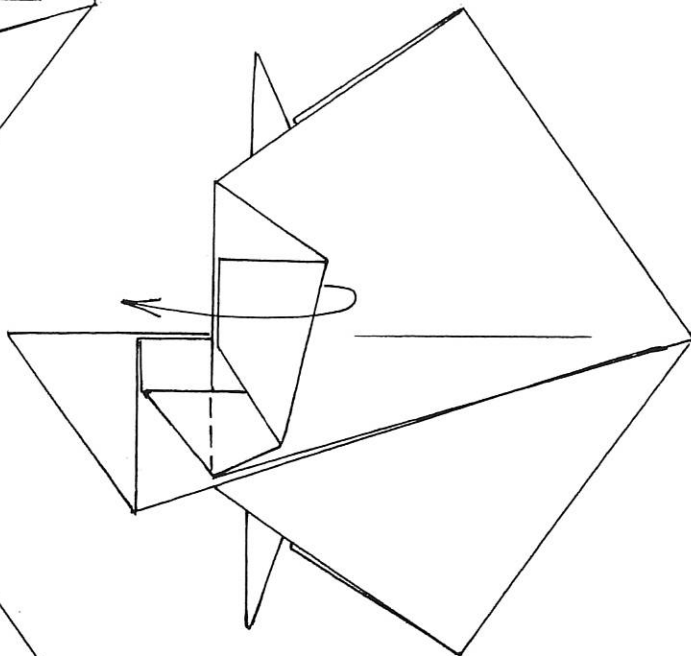
25



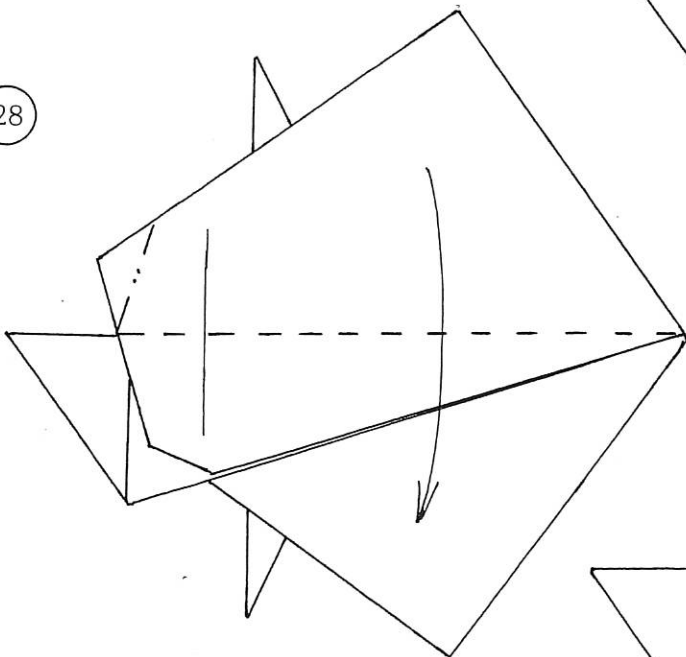
26



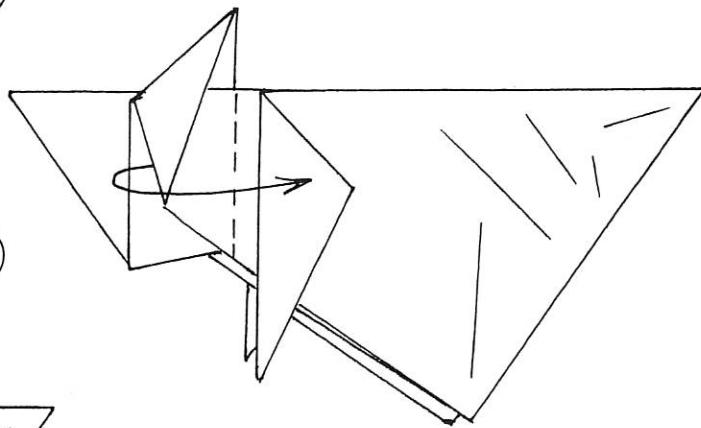
27



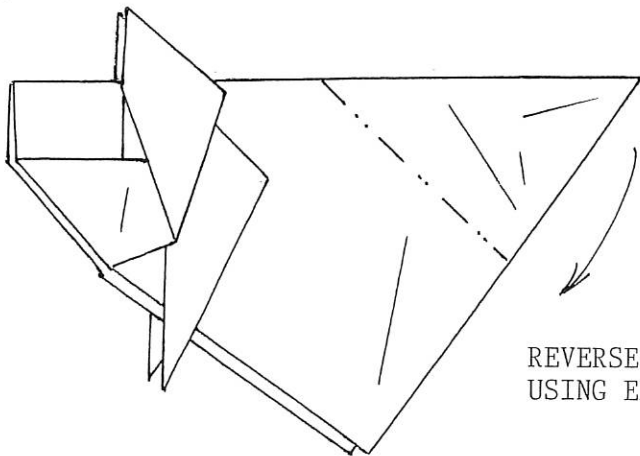
28



29



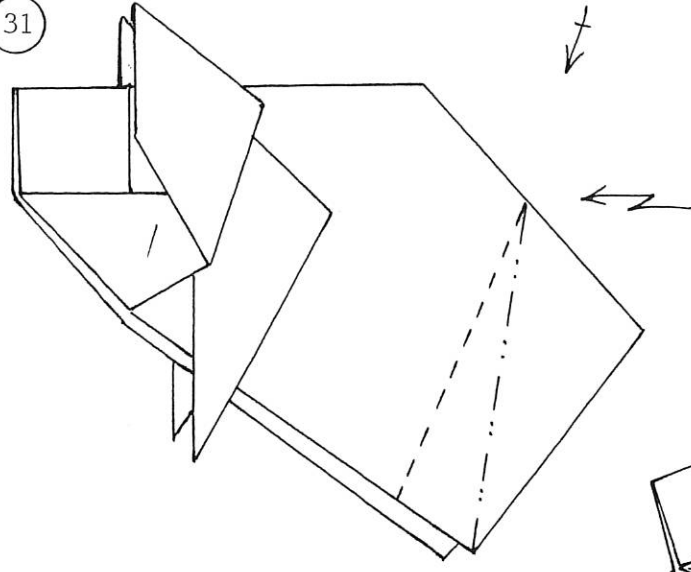
30



FOLD THE EAR OVER, THEN
REPEAT STEPS 24 TO 29 BEHIND

REVERSE FOLD
USING EXISTING CREASE

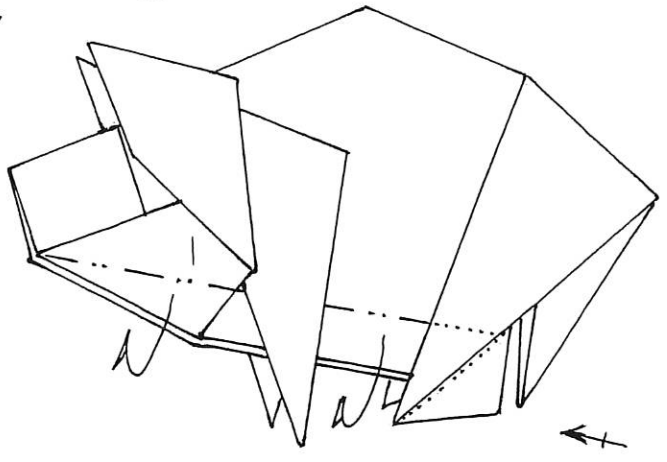
31



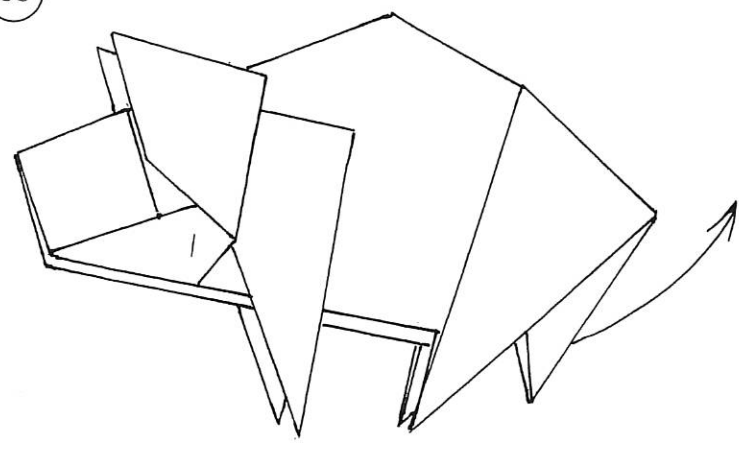
ORIGINAL MODEL 21.3.99

REVISED FOLDING SEQUENCE
AND MINOR MODIFICATIONS
10.9.06 IN VALENCIA

32

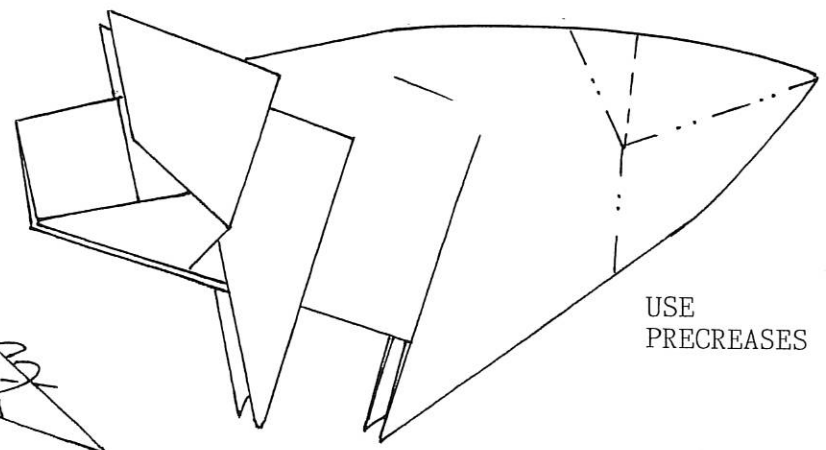


33



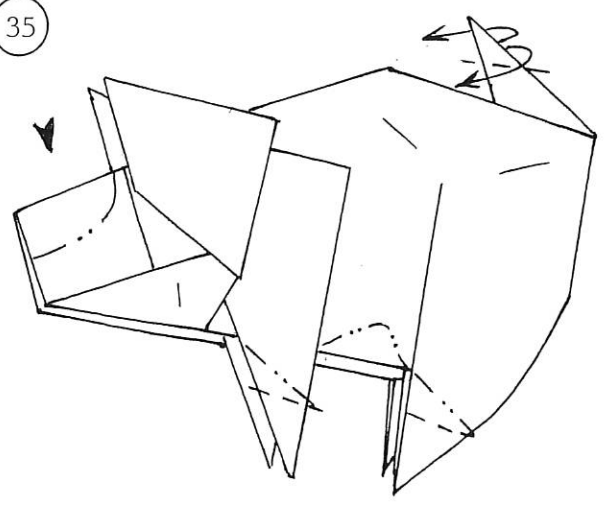
MODEL BECOMES 3D

34



USE
PRECREASES

35



36

